

FAG

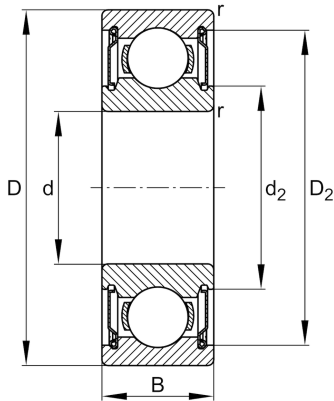
**6014-H-2Z-SN**

Deep groove ball bearing

Schaeffler ID:  
0949139780000

Deep groove ball bearing 60..-H-2Z, single row, H-Series, shields, steel sheet metal cage

## Technical information

**Main Dimensions & Performance Data**

d	70 mm	Bore diameter
D	110 mm	Outside diameter
B	20 mm	Width
$C_r$	36.770 N	Basic dynamic load rating, radial
$C_{0r}$	29.080 N	Basic static load rating, radial
$C_{ur}$	1.710 N	Fatigue load limit, radial
$n_G$	7.300 1/min	Limiting speed
$n_{gr}$	6.800 1/min	Reference speed
	0,58 kg	Weight

**Dimensions**

$r_{min}$	1,1 mm	Minimum chamfer dimension
$D_2$	100,2 mm	Caliber diameter outer ring
$d_2$	79,6 mm	Caliber diameter inner ring

**Mounting dimensions**

$d_{a min}$	76 mm	Minimum diameter shaft shoulder
$D_{a max}$	104 mm	Maximum diameter of housing shoulder
$r_{a max}$	1 mm	Maximum fillet radius

**Calculation factors**

$f_0$	15,5	Calculation factor
-------	------	--------------------

**Temperature range**

$T_{min}$	-20 °C	Operating temperature min.
$T_{max}$	120 °C	Operating temperature max.

